

FIG. NO.	CATALOG NUMBER	BUSHING ACCOMMODATED	LATCH TYPE	DIM A	DIM B	DIM D	NOMINAL INSULATOR SKIRT DIAMETER (MIN. - MAX.)	APPROX. WT. EACH LB. [KG]	STANDARD PACK	1		
										ITEM 1	DESCRIPTION BODY	MATERIAL POLYPROPYLENE
1	GS555H	DISTRIBUTION AND TRANSFORMER BUSHING	2 WASHBOARD - PEG	5.380 [136.92]	6.180 [156.97]	--	3.750 - 5.250 [95.44 - 133.61]	.280 [.13]	50			
2	GS560H	DISTRIBUTION AND TRANSFORMER BUSHING	2 PINCH LATCHES, ONE TOP CLASP	4.880 [124.20]	10.590 [268.99]	.650 [16.51]	3.750 - 4.750 [95.44 - 120.59]	.480 [.21]	25			
3	GS567	RECLOSER, REGULATOR AND POT HEAD BUSHINGS	2 PINCH LATCHES, ONE TOP CLASP	6.380 [162.37]	10.500 [267.23]	--	5.000 - 6.250 [127.25 - 159.06]	.800 [.36]	25			
4	GS570	LARGER DIAMETER BUSHINGS SUCH AS SUBSTATION TRANSFORMER & CIRCUIT BREAKERS	2 PINCH LATCHES, ONE TOP CLASP	8.120 [206.65]	13.750 [349.94]	.790 [20.06]	6.750 - 8.000 [171.79 - 203.60]	1.210 [.55]	15			
5	GS560C	DISTRIBUTION AND TRANSFORMER BUSHING	2 WASHBOARD - PEG	4.876 [123.85]	9.140 [232.16]	--	3.750 - 4.750 [95.44 - 120.59]	.500 [.23]	50			

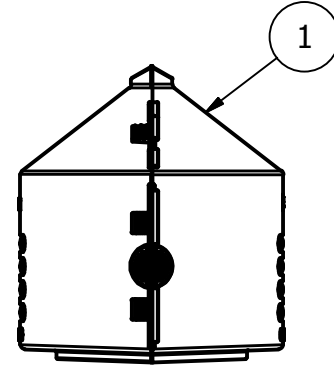
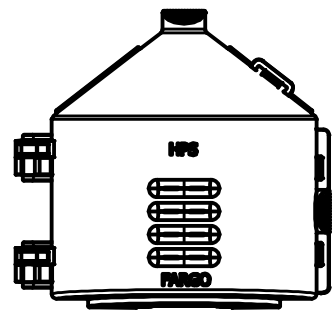


FIG 1

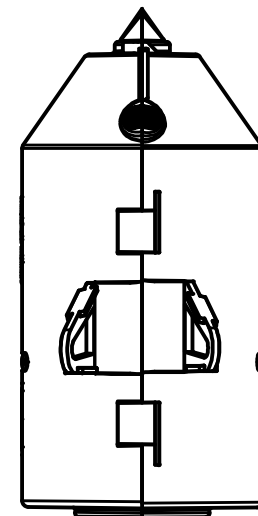
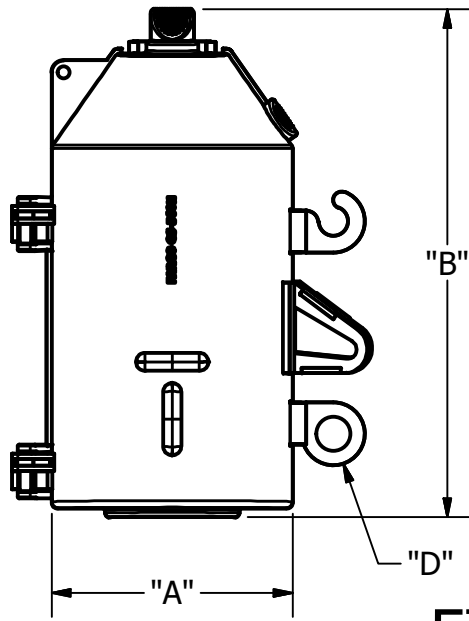


FIG 2

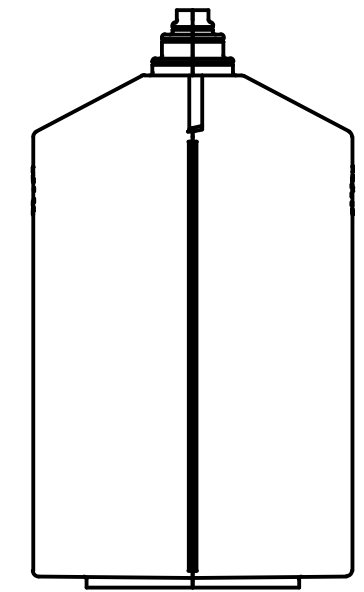
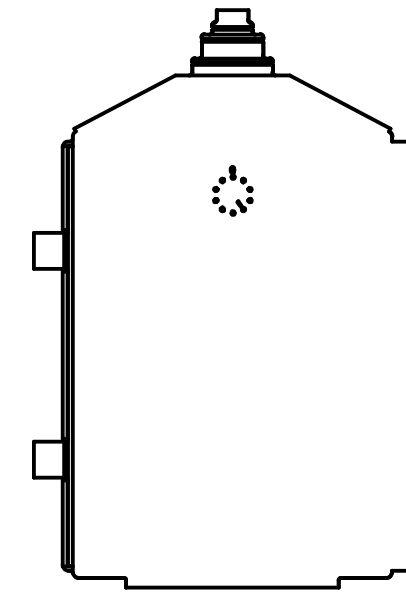
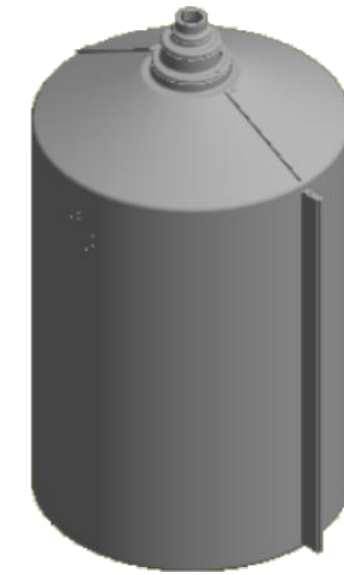


FIG 3

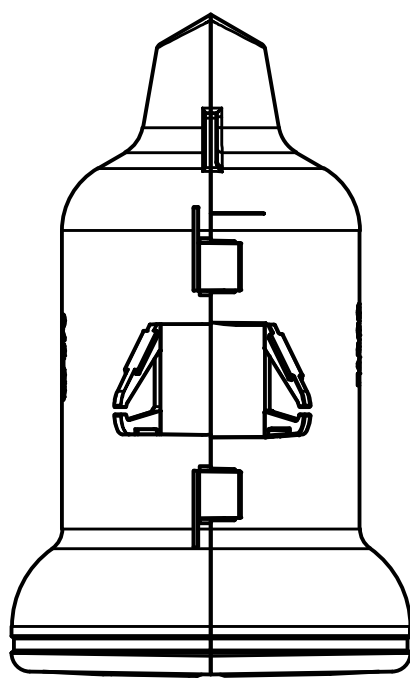
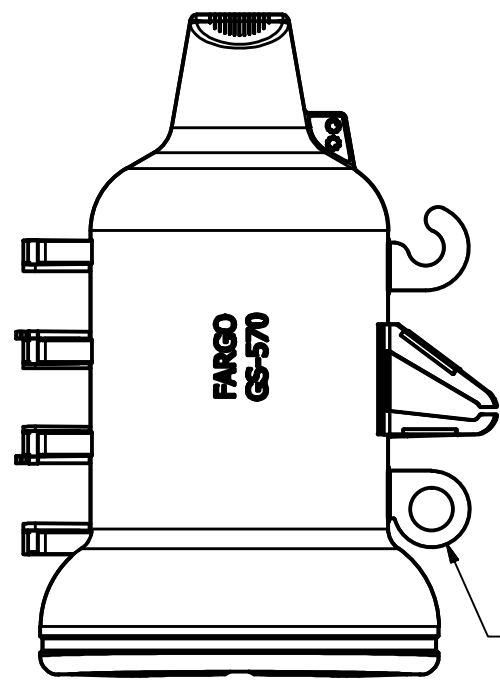


FIG 4

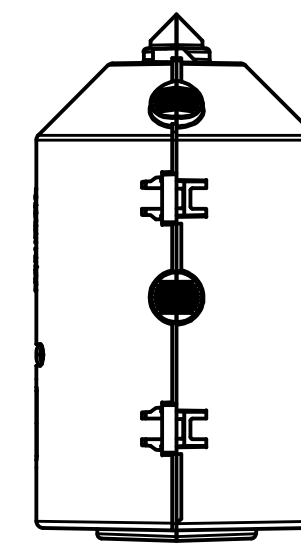
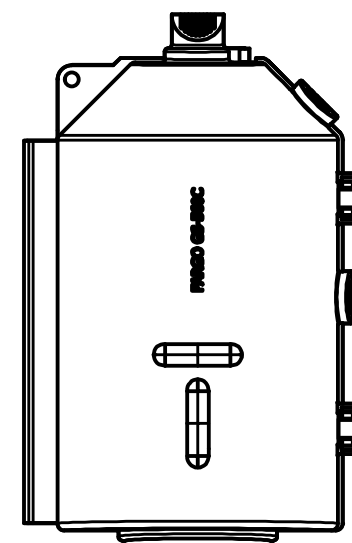


FIG 5

NOTES:

- ALL DIMENSIONS FOR REFERENCE ONLY. DISTANCE IN. [MM], FORCE LBS. [kN], TORQUE IN. LBS. [N.m], & WEIGHT LBS. [KG].
- RATINGS:
 - A. UV RESISTANT
- CERTIFICATIONS, SPECIFICATIONS, & STANDARDS:
 - A. NA
- SUFFIXES & VARIANT CONFIGURATION:
 - A. NA

79091	07/03/19	SAV	RG	HPS.	HUBBELL® POWER SYSTEMS POWER SYSTEMS, INC.			
EC #	DATE	CHG BY	RESP ENG					
DESC OF DWG: INITIAL RELEASE NEW CUSTOMER DRAWING				CONFIDENTIAL: THIS DRAWING AND ITS CONTACTS ARE CONFIDENTIAL AND THE EXCLUSIVE PROPERTY OF HUBBELL POWER SYSTEMS. NO PUBLICATION, DISTRIBUTION OR COPIES MAY BE MADE WITHOUT THE WRITTEN CONSENT OF HUBBELL POWER SYSTEMS. HUBBELL POWER SYSTEMS UNPUBLISHED ALL RIGHTS RESERVED UNDER THE COPYRIGHT LAWS	TITLE GS WILDLIFE PROTECTOR			
REASON (S) FOR CHANGE: DISPOSITION OF MAT'L:					<table border="1"> <tr> <td>SIZE C</td> <td>DWG NO. CC-26146</td> <td>CAT / PART / ASSY NO. SEE CHART</td> <td>REV 00</td> </tr> </table>	SIZE C	DWG NO. CC-26146	CAT / PART / ASSY NO. SEE CHART
SIZE C	DWG NO. CC-26146	CAT / PART / ASSY NO. SEE CHART	REV 00					